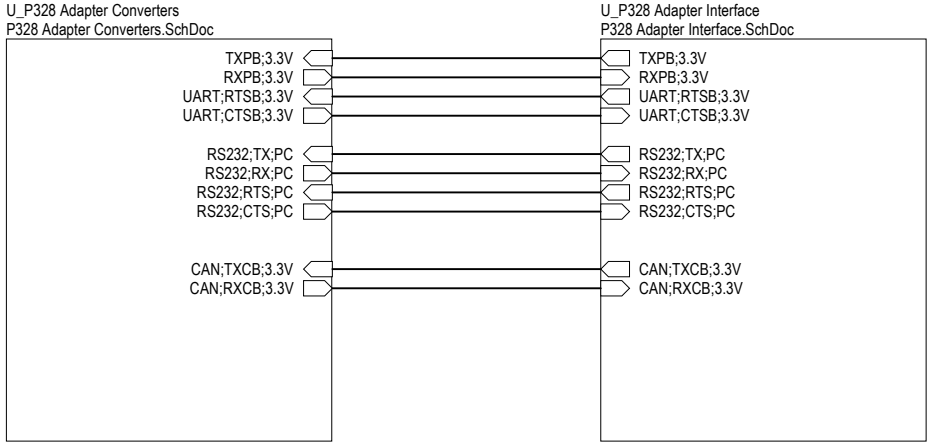


REVREL	DESCRIPTION	DRAWN	APPROVED	DATE
A1	Initial release	C. Davis	A. Escobedo	2016-11-03
B1	Changed to Right Angle DB9's. Changed 24 and 16 position sockets.	C. Davis	A. Escobedo	2017-03-15



NOTES

DRAWN	NAME	DATE
C. Davis	C. Davis	2017-03-15
APPROVED	A. Escobedo	2017-03-15
PROPRIETARY AND CONFIDENTIAL THE INFORMATION CONTAINED IN THIS DRAWING IS THE SOLE PROPERTY OF HEMISPHERE GNSS. ANY REPRODUCTION IN PART OR AS A WHOLE WITHOUT THE WRITTEN PERMISSION OF HEMISPHERE GNSS IS PROHIBITED.		

SHEET NAME	
P328 Adaptor Cover	
DESIGNATOR SERIES: 500-599	

Hemisphere[®]
 8515 E. Anderson Drive, Scottsdale, Arizona 85255, Phone (480) 348-6380

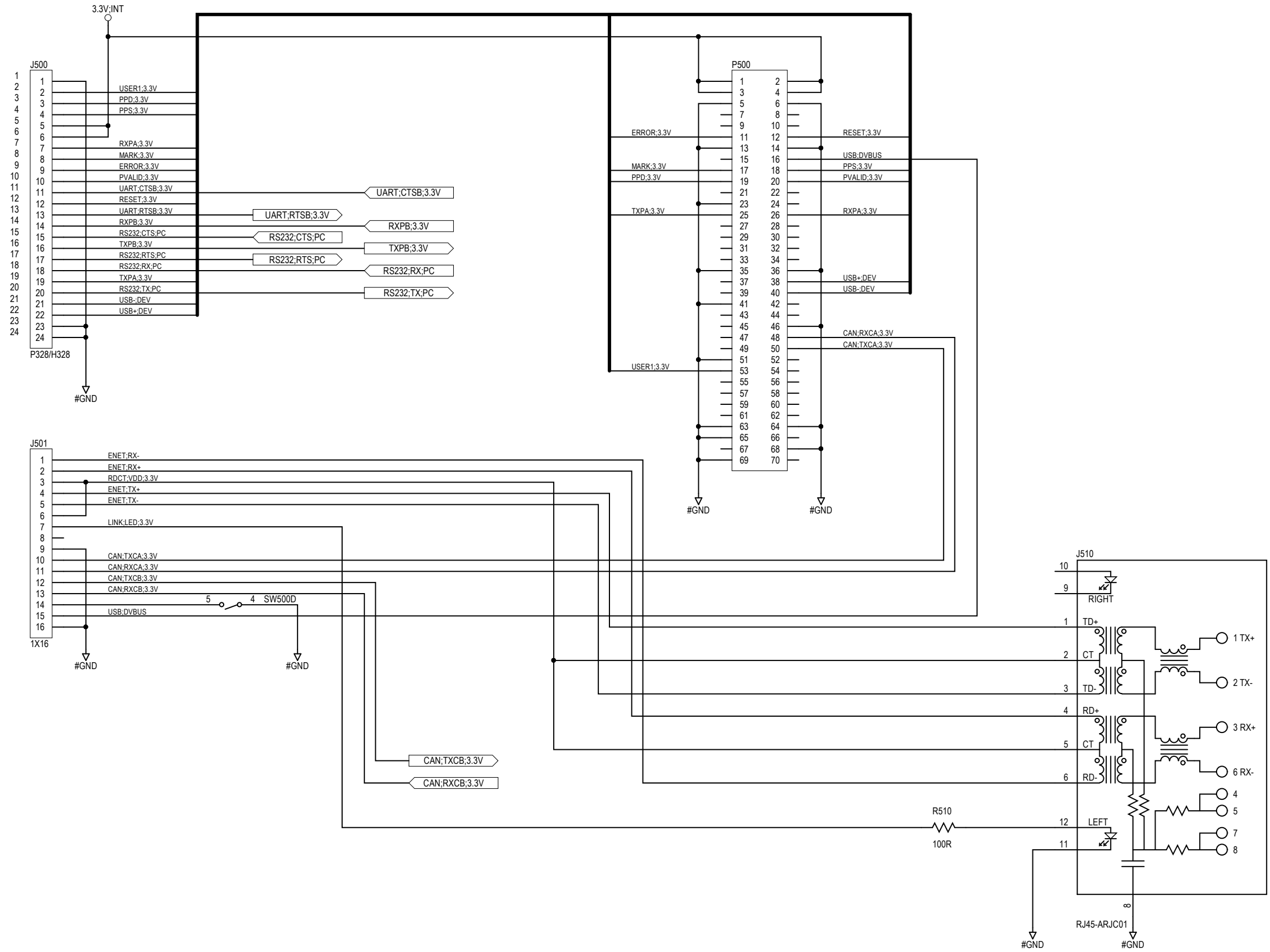
TITLE
P328 Evaluation Adapter Board.SchDoc

PART NUMBER	REV	REL
725-1521-0	B	1

FILE 725-1521-0_B1_SC.pdf SHEET 1 OF 3

1	Ground	#GND	#GND
2	GPIO Active high	USER1;3.3V	GPIOB;B;D10
3	VARF	CORR;SPEED;3.3V	PULSE;OUT
4	PPS	CORR;PPS;3.3V	1PPS;OUT
5	PWR	VIN;3.3V	VIN;3.3V
6	PWR	VIN;3.3V	VIN;3.3V
7	COM3 RX	UART;RXPA;3.3V	UART1;RX;DATA
8	MMARK	MM;3.3V	GPT;CAP;2 / TIC;IN
9	PWR ACT HIGH	ERROR;3.3V	GPIOA;D10
10	PValid High	PVALID;3.3V	GPIO2;15
11	COM2 CTS	UART;CTS;3.3V	UART2;CTS (Input to IC)
12	RESET	\EXT;RESET;3.3V	U280
13	COM2 RTS	UART;RTS;3.3V	UART2;RTS (Output from IC)
14	COM2 RX	UART;RXPB;3.3V	UART2;RX;DATA
15	COM1 232 RTS	RS232;CTS;PC	UART3;CTS (Input to IC)
16	COM2 TX	UART;TXPB;3.3V	UART2;TX;DATA
17	COM1 232 RX	RS232;RTS;PC	UART3;RTS (Output from IC)
18	COM1 232 RX	RS232;RX;PC	UART3;RX;DATA
19	COM3 TX	UART;TXPA;3.3V	UART1;TX;DATA
20	COM1 232 TX	RS232;TX;PC	UART3;TX;DATA
21	USB-	USB;-DEV	USB;-DEV
22	USB+	USB;+DEV	USB;+DEV
23	Ground	#GND	#GND
24	Ground	#GND	#GND

1	ENET RX-
2	ENET RX+
3	RX Magnetic Cap
4	ENET TX+
5	ENET TX-
6	TX Magnetic Cap
7	LED A
8	LED B
9	GND
10	CAN 1 TX
11	CAN 1 RX
12	CAN 2 TX
13	CAN 2 RX
14	USB ID
15	VBUS
16	Ground



NOTES

DRAWN	NAME	DATE
C. Davis	C. Davis	2017-03-15
APPROVED	NAME	DATE
A. Escobedo	A. Escobedo	2017-03-15
PROPRIETARY AND CONFIDENTIAL		
THE INFORMATION CONTAINED IN THIS DRAWING IS THE SOLE PROPERTY OF HEMISPHERE GNSS. ANY REPRODUCTION IN PART OR AS A WHOLE WITHOUT THE WRITTEN PERMISSION OF HEMISPHERE GNSS IS PROHIBITED.		

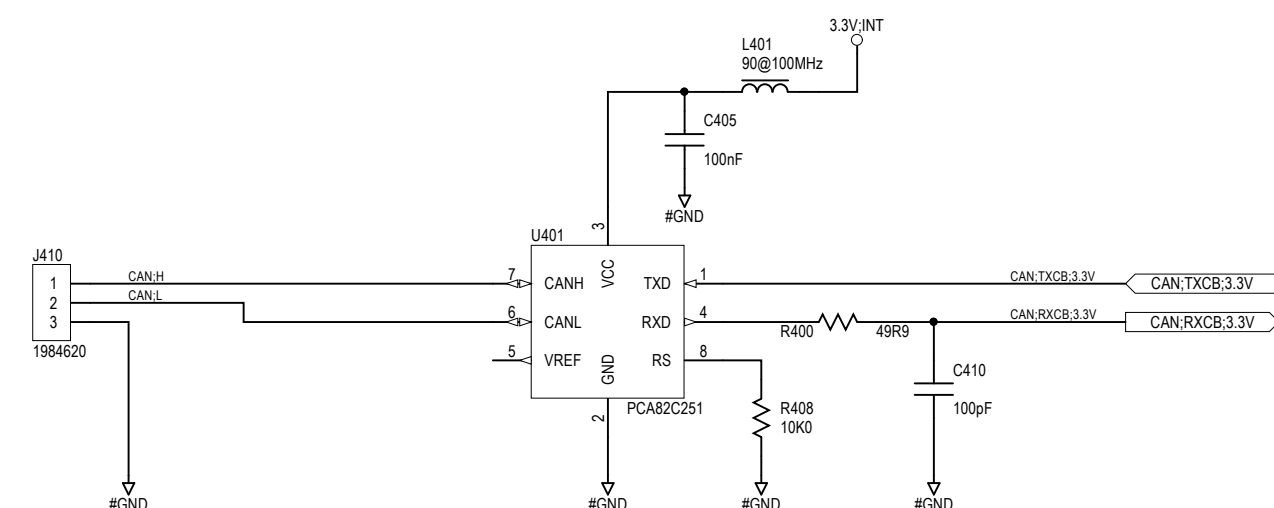
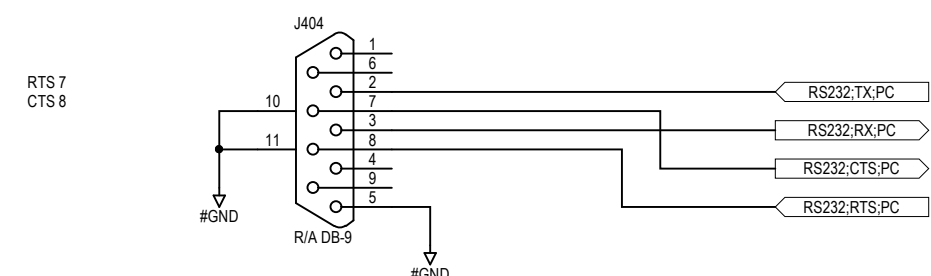
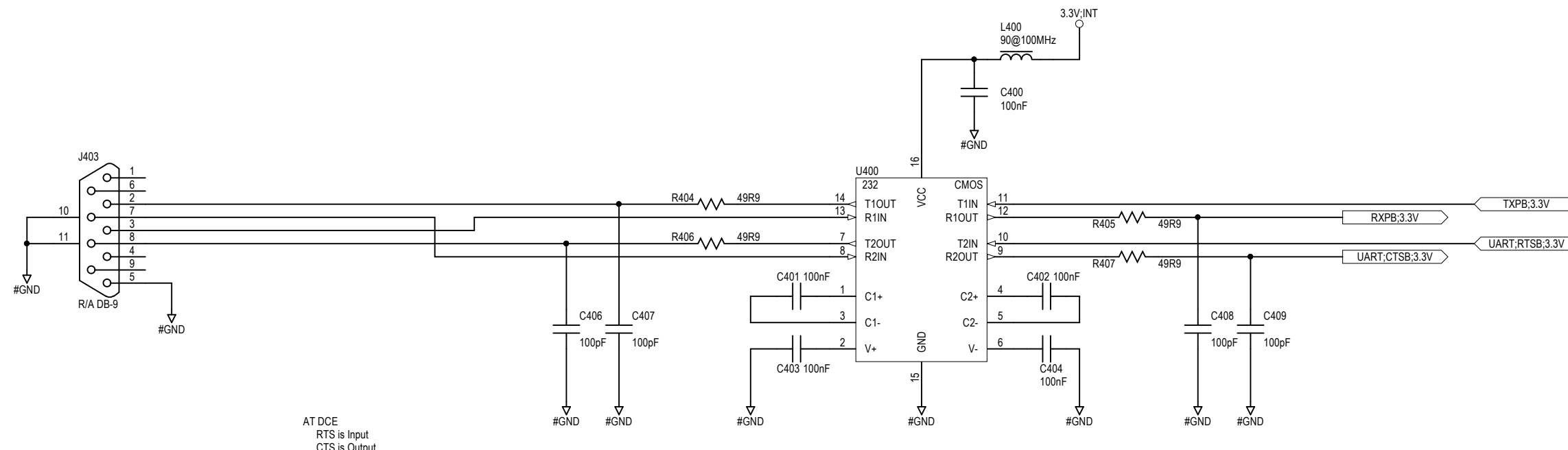
SHEET NAME	
P328 Adapter Interface	
DESIGNATOR SERIES: 500-599	

Hemisphere
8515 E. Anderson Drive, Scottsdale, Arizona 85255, Phone (480) 348-6380

TITLE: P328 Evaluation Adapter Board.SchDoc

PART NUMBER	REV	REL
725-1521-0	B	1

FILE: 725-1521-0_B1_SC.pdf SHEET 2 OF 3



NOTES

DRAWN	C. Davis	DATE	2017-03-15
APPROVED	A. Escobedo	DATE	2017-03-15
PROPRIETARY AND CONFIDENTIAL			
THE INFORMATION CONTAINED IN THIS DRAWING IS THE SOLE PROPERTY OF HEMISPHERE GNSS. ANY REPRODUCTION IN PART OR AS A WHOLE WITHOUT THE WRITTEN PERMISSION OF HEMISPHERE GNSS IS PROHIBITED.			
SHEET NAME		P328 Adapter Converters	
DESIGNATOR SERIES: 500-599			

Hemisphere[®]
8515 E. Anderson Drive, Scottsdale, Arizona 85255, Phone (480) 348-6380

TITLE: P328 Evaluation Adapter Board.SchDoc

PART NUMBER	725-1521-0	REV	B	REL	1
FILE	725-1521-0_B1_SC.pdf		SHEET 3 OF 3		